

Receiver
From

 Society
 Reference
 Address
 Phone
 Fax
 E-mail

Item n° :
 60152448

Model :
 K 55/100 M

Pump data

 MEI ≥
 Pressure rating : 10 bar (1000 kPa)
 Min. fluid temperature : -10 °C
 Max. fluid temperature : 50 °C
 Max. Ambient temperature : 40 °C

Requested data

 Flow : 0.00 m³/h
 Head : 0.00 m
 Fluid : Water
 Fluid Temperature : 20 °C
 Density : 0.99819 kg/dm³
 Kinematic viscosity : 1.0004 mm²/s
 Vapor pressure : 2.20 kPa

Hydraulic data (duty point)

 Flow :
 Head :
 NPSH :
 Shaft power P2 :
 Efficiency :

Materials

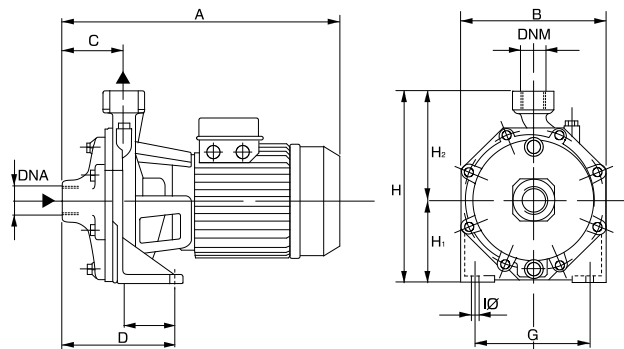
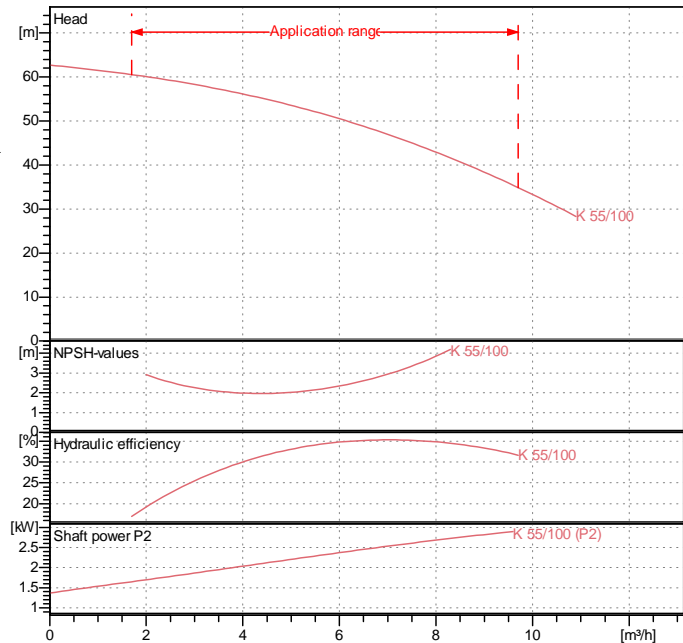
 Pump body : Cast iron 200 UNI ISO 185
 Support : Cast iron 200 UNI ISO 185
 Impeller : Technopolymer A
 Mechanical seal : Carbon/Ceramic
 OR ring : NBR Rubber
 Shaft with rotor : AISI 303 X10 CrNiS 1809 UNI 6900/71
 Intermediate cover : Cast iron 200 UNI ISO 185

Motor data

 Motor brand : DAB
 Nominal power P2 : 2.2 kW
 Rated speed : 2900 1/min
 Rated voltage : 1~ 230 V 50 Hz
 Nominal current : 14.9 A
 Degree of protection : IP 55

Pump connection

 Suction side : 1 " 1/2 G/ 10 bar (1000 kPa)
 Discharge side : 1 " G / 10 bar (1000 kPa)

Curve tolerance according to ISO 9906

Weight : 38.1 kg

Dimensions in mm

A	450
B	256
C	88
D	160
DNA	1" 1/2 G
DNM	1" G
E	72
G	200
H	312.5
H1	140
H2	172.5
Ø	14



PERFORMANCE CURVES

2019-10-28

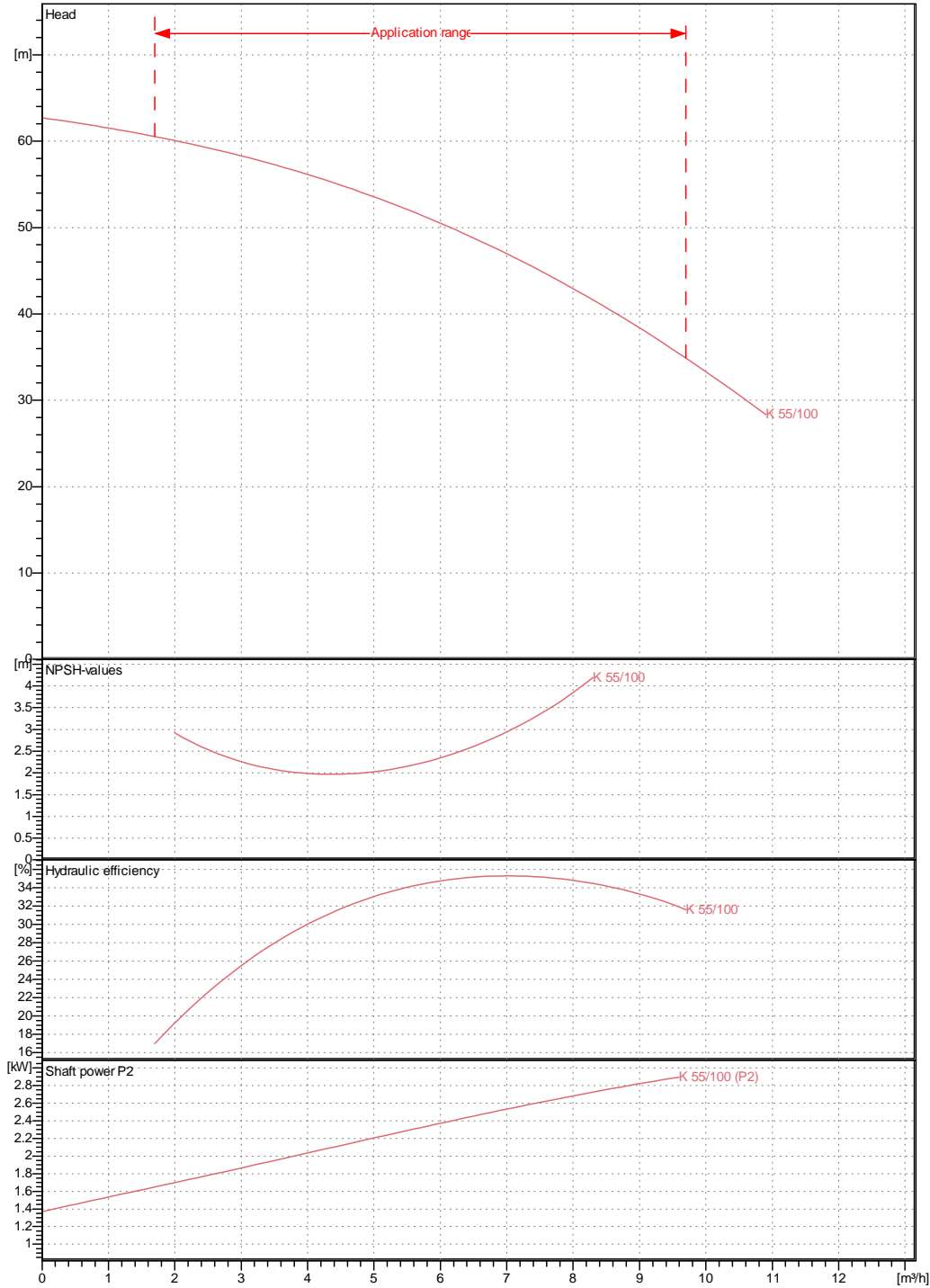
Page 2 / 3

DAB PUMPS S.p.A.
Via Marco Polo, 14 - 35035 Mestrino (PD), Italy
Tel. +39 049 5125000 - Fax +39 049 5125950
www.dabpumps.com

Society Reference Address Phone Fax E-mail	Receiver	From

K 55/100 M

Curve tolerance according to ISO 9906



Hydraulic data (duty point)

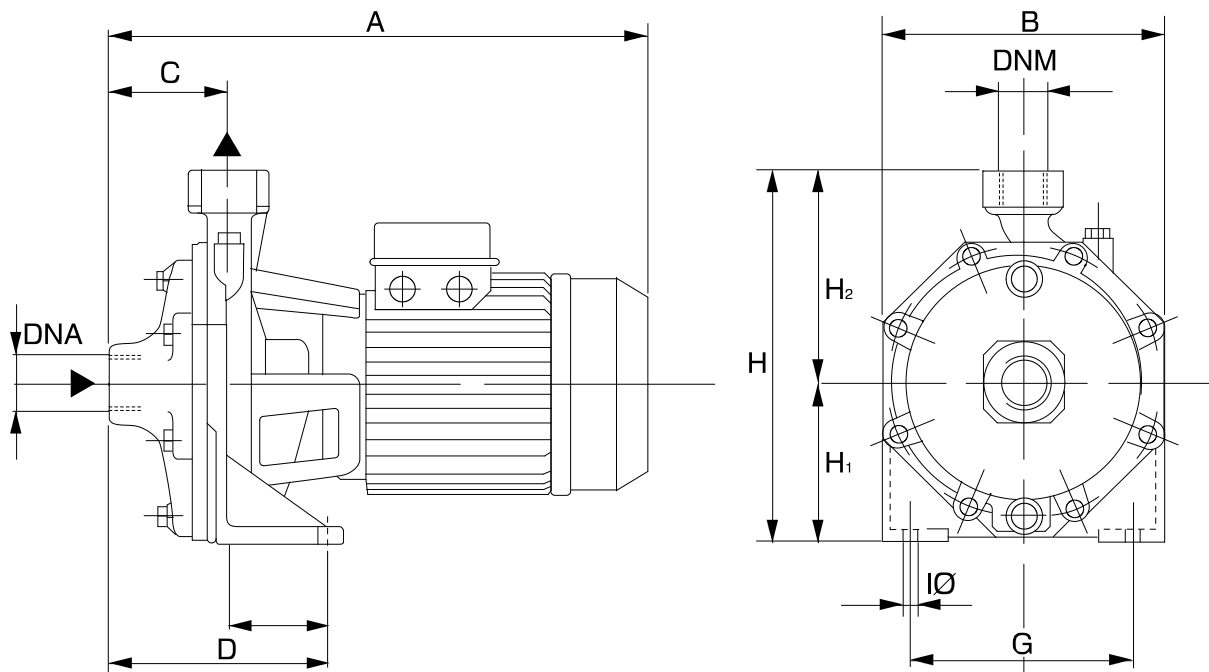
Suction side : 1 " 1/2 G 10 bar (1000 kPa)	Discharge side : 1 " G 10 bar (1000 kPa)	Flow : 0 m³/h	Head : 0 m	Rated speed : 2900 1/min
Project	Project ID	Created by	Created on 2019-10-28	

Receiver

From

Society
 Reference
 Address
 Phone
 Fax
 E-mail

K 55/100 M


Dimensions in mm

1	A	450	H ₂	172.5	
2	B	256	Ø	14	
3	C	88			
4	D	160			
5	DNA	1"1/2 G			
6	DNM	1" G			
7	E	72			
8	G	200			
9	H	312.5			
10	H ₁	140			

Pump connection

Suction
 1 " 1/2 G
 10 bar (1000 kPa)

Discharge
 1 " G
 10 bar (1000 kPa)

Project

Project ID

Created by

Created on

2019-10-28